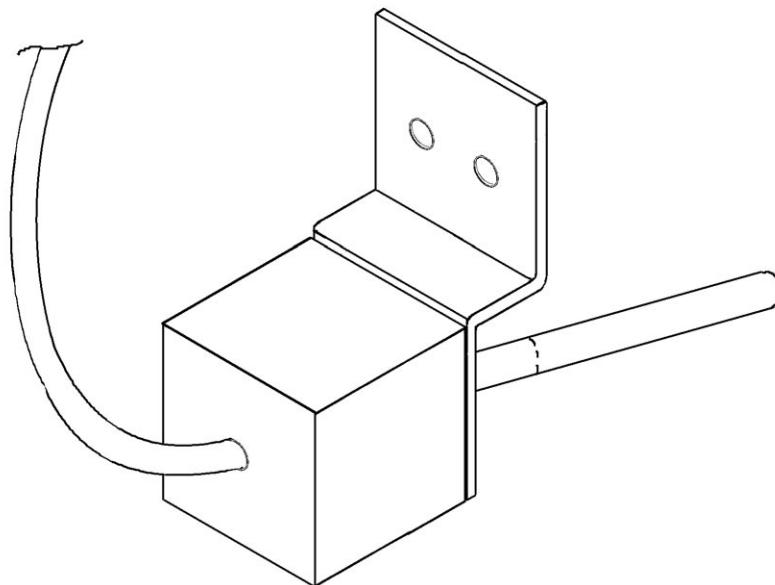


# Micro switch MSR-24/2

# Mikrobrytare MSR-24/2

Table of contents:	page:
MOUNTING INSTRUCTION .....	2
WIRING DIAGRAM .....	3-5

Innehållsförteckning:	sida:
MONTERINGS ANVISNING.....	2
EL-SCHEMAN .....	3-5



**PLYMOVENT<sup>®</sup>**  
INTELLIGENT PROCESS VENTILATION™

Date: 05-01-12  
Valid from: 04-01-21  
Edition: 1.0  
Product no: MSR-24/2



## England

PlymoVent Ltd  
Marley Way, Southam Road  
Banbury, OX16 2RA, England  
Tel: +44 1295 25 93 11  
Fax: +44 1295 27 17 50  
info@plymovent.co.uk  
www.plymovent.co.uk

## Head office / Factory

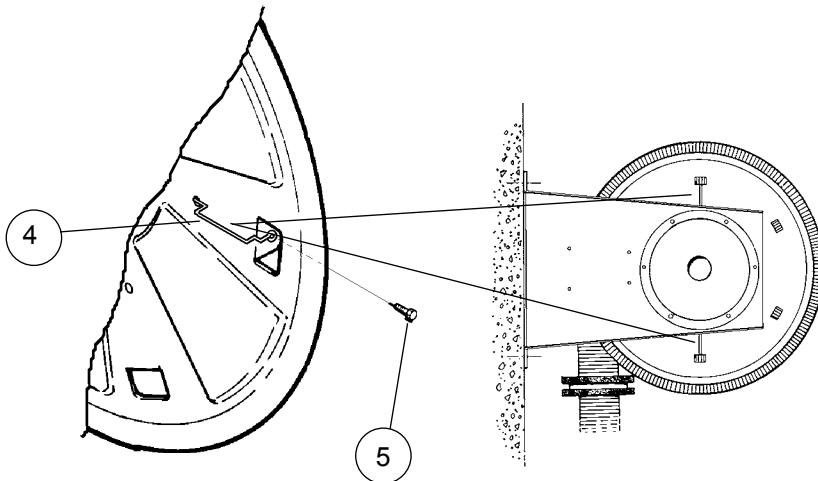
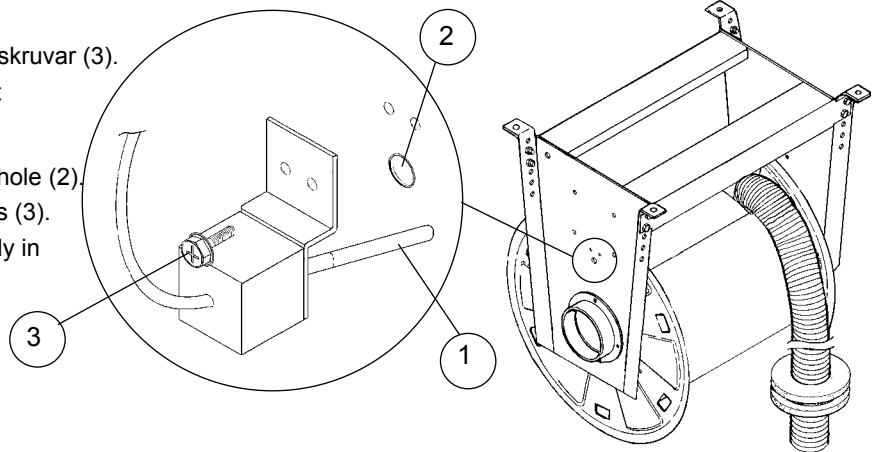
PlymoVent AB  
P.O. Box 527  
SE-921 28 Lycksele, Sweden  
Tel: +46 950 57 67 00  
Fax: +46 950 57 67 90  
info@plymovent.se  
www.plymovent.se

Micro switch MSR-24/2  
Mikrobrytare MSR-24/2

© Copyright 1997: All rights reserved. All information within this printed matter may not be reproduced, handed over, copied, xeroxed or translated into another language in any form or means without written permission from PlymoVent AB. PlymoVent AB reserves the right to make design changes.

1. För in strömbrytarens spröt (1) i hålet (2).
2. Skruva fast strömbrytaren med medföljande skruvar (3).
3. Kontrollera att strömbrytaren kan röra sig fritt åt båda hållen.

1. Insert the circuit-breaker's feeler (1) into the hole (2).
2. Secure circuit-breaker using enclosed screws (3).
3. Check that the circuit-breaker can move freely in both directions.



4. Drag ut slangen tills dess att fyra snäpp erhålles på ett av spårsegmenten.
  5. Montera manövreringfjädrarna (4) (2st) på trumgaveln genom att lossa två av skruvarna (5) som håller trumman, OBS! montera fjädrarna i hålen enligt skiss.
  6. Skruva tillbaka skruvarna.
4. Pull out the hose and obtain 4 notches on one of the lock segments.
  5. Mount the operating springs (4) (2 springs) on the drum by loosening 2 of the screws (5) that hold the drum, (N.B. mount springs according to diagram).
  6. Refasten screws.

### **Användning av MSR-24/2 som ersättning för MSR-24**

När MSR-24/2 användes som direkt ersättning för MSR-24 skall följande konverteringar iakttagas (på riktningar som beskriver funktion/inkoppling av MSR-24):

MSR-24 - Brun = MSR-24/2 - Ledning #1  
MSR-24 - Svart = MSR-24/2 - Ledning #2

or

MSR-24 - Brun = MSR-24/2 - Ledning #3  
MSR-24 - Svart = MSR-24/2 - Ledning #4

### **MSR-24/2 used as a replacement for MSR-24**

When the MSR-24/2 is used as a direct replacement for the MSR-24 the following conversions should be applied (on drawings describing the function/wiring of the MSR-24):

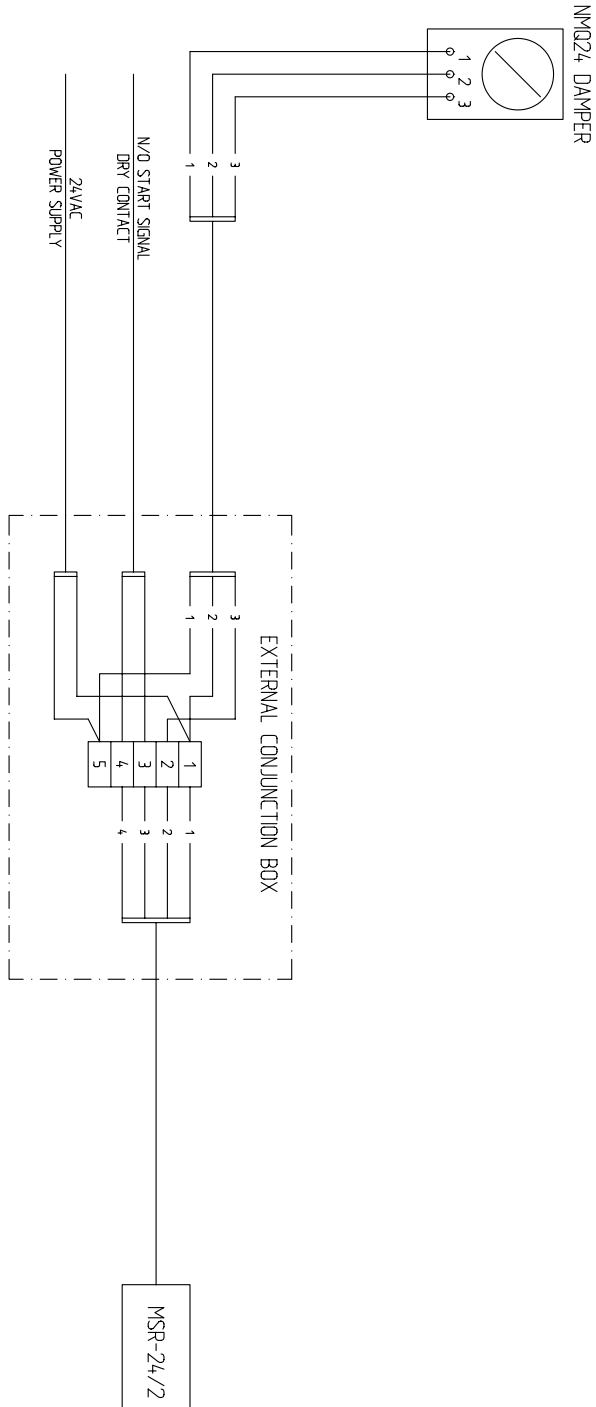
MSR-24 - Brown = MSR-24/2 - Wire #1  
MSR-24 - Black = MSR-24/2 - Wire #2

or

MSR-24 - Brown = MSR-24/2 - Wire #3  
MSR-24 - Black = MSR-24/2 - Wire #4

Micro switch MSR-24/2  
Mikrobrytare MSR-24/2

© Copyright 1997: All rights reserved. All information within this printed matter may not be reproduced, handed over, copied, xeroxed or translated into another language in any form or means without written permission from PlymoVent AB. PlymoVent AB reserves the right to make design changes.



1	CHANGES IN TERMINAL WIRING	TU	05/01/05
NBR.	CHANGE	SIGN.	DATE

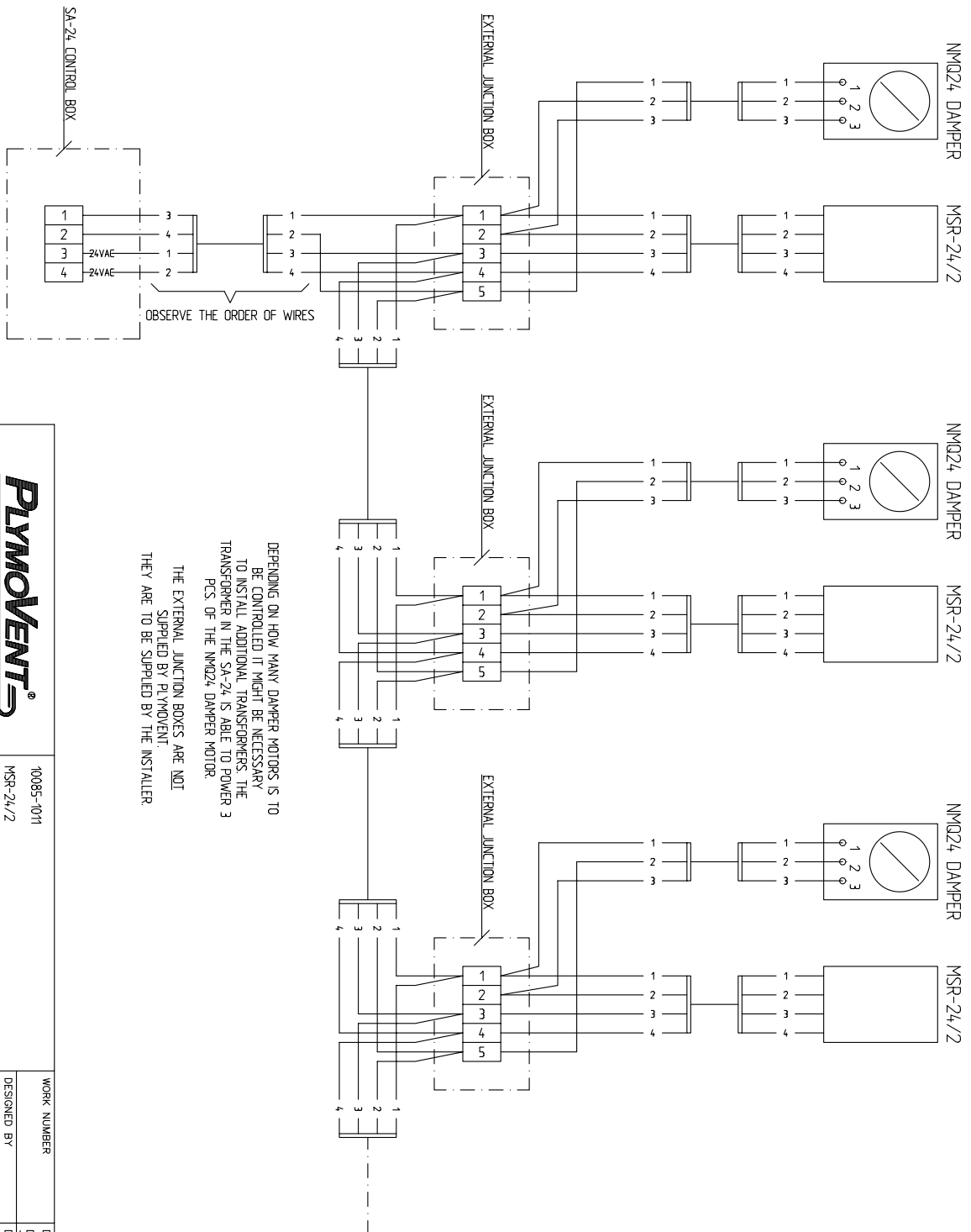
**PLYMOVENT®**  
PlymoVent AB, Peringsgatan 37  
S-271 52 Malma, SWEDEN  
Tel: +46-(0)40-303330, Fax: +46-(0)40-303440

10085-1011  
MSR-24/2  
OUTER CONNECTION DRAWING

WORK NUMBER	DESIGNED BY	DRAWING NUMBER	SHEET
TU	TU	546069	0002
DATE	REV.		CONT. SHEET
2003-10-14	P02		0003

Micro switch MSR-24/2  
Mikrobrytare MSR-24/2

© Copyright 1997: All rights reserved. All information within this printed matter may not be reproduced, handed over, copied, xeroxed or translated into another language in any form or means without written permission from PlymoVent AB. PlymoVent AB reserves the right to make design changes.



DEPENDING ON HOW MANY DAMPER MOTORS IS TO BE CONTROLLED IT MIGHT BE NECESSARY TO INSTALL ADDITIONAL TRANSFORMERS. THE TRANSFORMER IN THE SA-24 IS ABLE TO POWER 3 PCS OF THE NMQ24 DAMPER MOTOR.

THE EXTERNAL JUNCTION BOXES ARE NOT SUPPLIED BY PLYMOVENT. THEY ARE TO BE SUPPLIED BY THE INSTALLER.

1	CHANGES IN TERMINAL WIRING	TU	050105
NBR	CHANGE	SGN	DATUM

**PLYMOVENT®**  
PlymoVent AB, Föreningsgatan 37  
S-211 52 Malmö, SWEDEN  
Tel: +46-(0)40-303130, Fax: +46-(0)40-303140

10085-1011  
MSR-24/2  
MSR-24/2 & SA-24  
OUTER CONNECTION DRAWING

WORK NUMBER	DRAWING NUMBER	SHEET
DESIGNED BY	546069	0003
DATE	TU	CONT. SHEET
2003-10-14	REV.	0004
	PO2	

Micro switch MSR-24/2  
Mikrobrytare MSR-24/2

© Copyright 1997: All rights reserved. All information within this printed matter may not be reproduced, handed over, copied, xeroxed or translated into another language in any form or means without written permission from PlymoVent AB. PlymoVent AB reserves the right to make design changes.

